

Quick SETUP GUIDE FOR DX-TL5000U

The following procedure will allow you to quickly configure the DX-TL5000U. Please read this document before you turn the unit on or make any changes. *Additional information is found in the Installer's Manual*

Features:

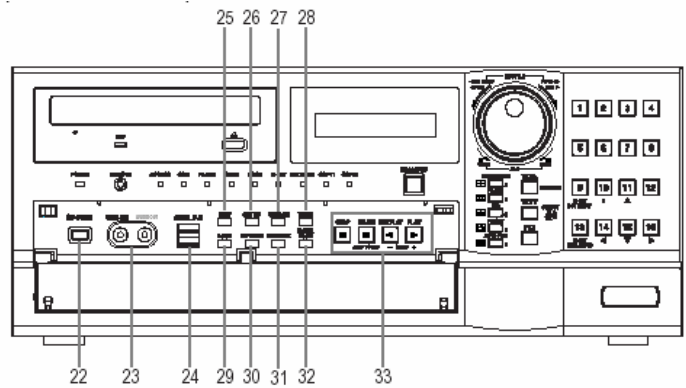
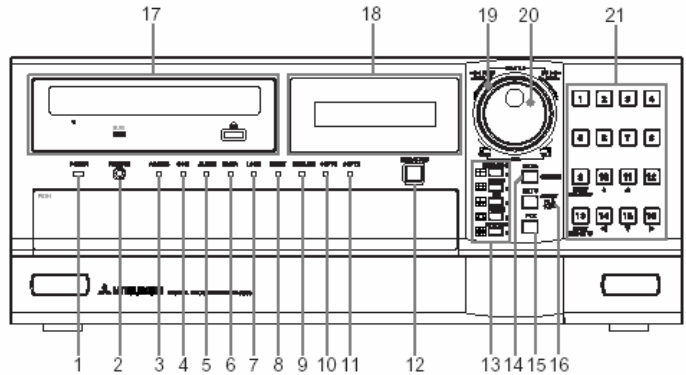
Flexibility	Triplex Operation	Analog and VGA Monitor Outputs.
960pps (live)	5 Quality Grades	TERA Bytes of storage
240pps (rec)	Network Ready	PTZ Control
Covert Cameras	NAS & USB HDD Support	

Front View:

- | | | |
|-----------------------|-----------------------|---------------------|
| 1. Power Indicator | 2. Remote Jack | 3. Access Indicator |
| 4. Com Indicator | 5. Alarm Indicator | 6. Timer Indicator |
| 7. Lock Indicator | 8. Motion Det. Ind. | 9. Pre-Alarm Ind. |
| 10. Copy Ind. | 11. Copy 2 Ind. | 12. REC/STOP |
| 13. SPLIT Screen | 14. Sequence Button | 15. PTZ Button |
| 16. Output A/B Button | 17. Disk Loading Slot | 18. LCD Display |
| 19. Shuttle Ring | 20. Jog Dial Ring | 21. Camera 1-16 |

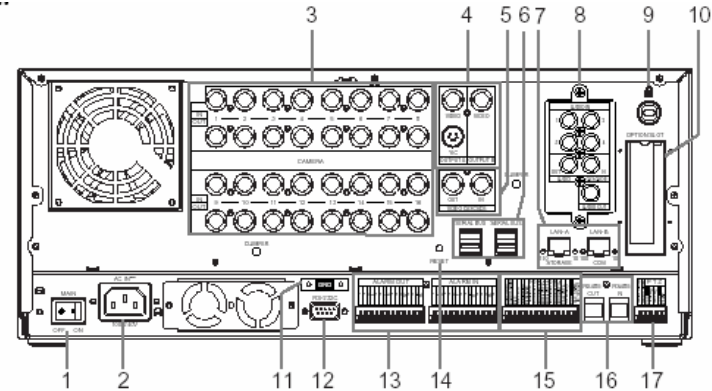
- | | | |
|------------------|------------------|----------------|
| 22. Power Button | 23. Analogue Out | 24. USB Port |
| 25. Help Button | 26. SETUP Button | 27. SEARCH |
| 28. TIMER | 29. LOCK Button | 30. TRIPLEX |
| 31. BOOKMARK | 32. DIGITAL ZOOM | 33. OPERATIONS |

Variety of copy Devices



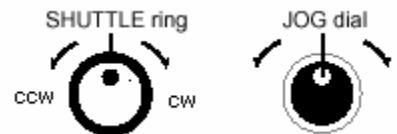
Back View:

- | | | |
|------------------------|---|-------------------|
| 1. Main Power Switch | 2. AC Power Socket | 3. Camera Inputs |
| 4. Video Output | 5. Video CASCADE In/Out Connectors | |
| 6. USB Ports | 7. LAN Port A (NAS device), Port B for PC | |
| 8. Audio Inputs | 9. Keyhole for antitheft Lock | |
| 10. Option Slot | 11. GRN Terminals | 12. RS-232 Port |
| 13. Alarm In/Out Term. | 14. Reset Button | 15. I/O Terminals |
| 16. RS-485 In/Out | 17. RS-422/RS232C Port | |



Jog/Shuttle Usage:

Playback Speed Control Only – Turning the Shuttle (outside ring) Clock Wise or Counter Clock Wise (CW/CCW) will change the playback speed. When in Pause mode, the Shuttle is also used to set the desired playback speed. From Pause turn the Shuttle to the desired Playback speed and press Pause to hold the speed. Play to exit.

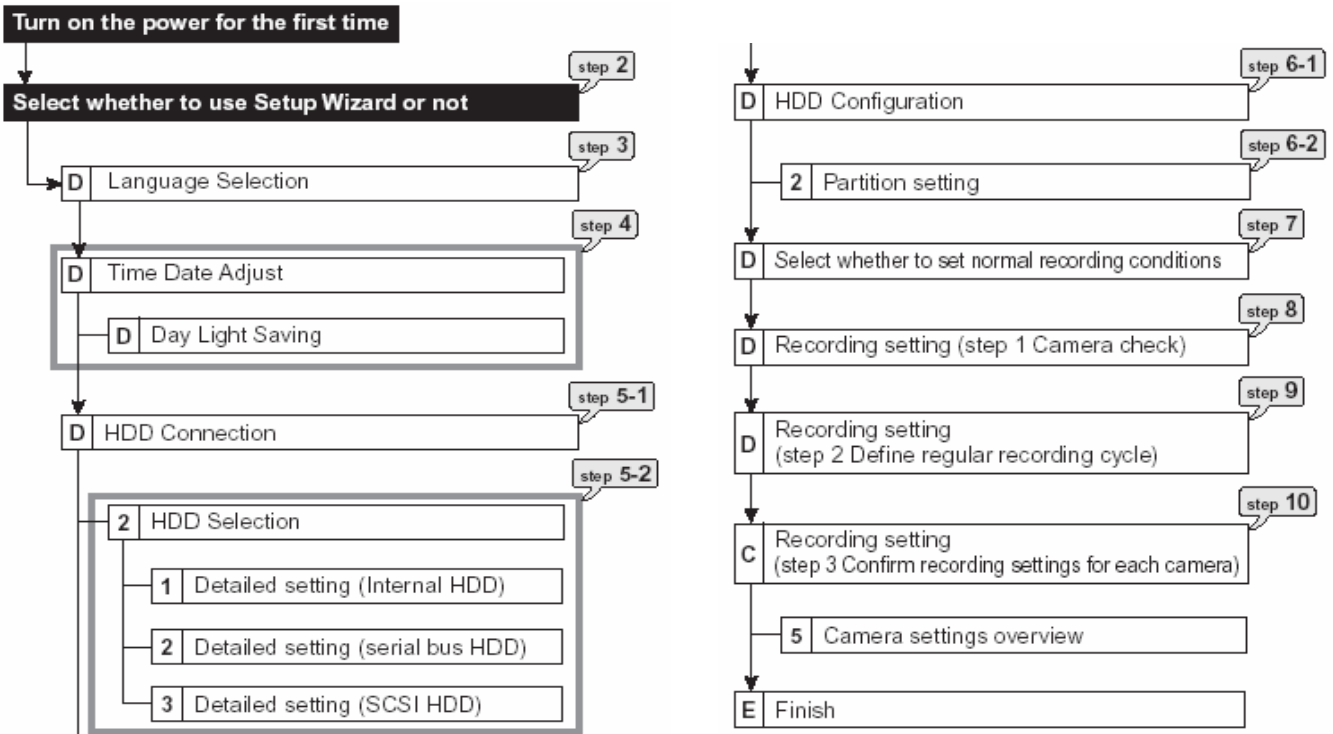


Before Powering the Unit ON:

Before you turn on the DVR and begin SETUP, ensure that all cameras, and peripheral devices are connected and turned on. This will ensure that all connected cameras and hard disk space is available and recognized in the setup calculations.

1st Time Power Up & SETUP Wizard:

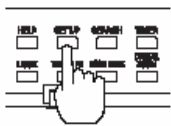
When the DVR is Turned On for the first time a SETUP WIZARD is made available to help you quickly setup required areas like current time, hard disk configuration, recording requirements and checking for connected cameras. Once done, you can start recording. All settings can be modified after you exit the wizard enabling you to fine tune the DVR. When the SETUP WIZARD is displayed, select “GO” if you want to go through the process, if you do not want to use it select “QUIT”. Also, if you choose to use the WIZARD, you must complete the process before you can exit its settings. Following are the steps that the WIZARD takes you through.



If you selected “QUIT” to the SETUP WIZARD you can still setup the DVR. The DVR uses a proprietary menu system which is divided into 3 sections.

- To ACTIVATE the MENU simply press the SETUP button on the DVR or if a mouse is being used (connected to a USB port) right click the mouse and the DVR menu screen will be displayed. The User Menu screen will be displayed first. To go to the next screen press the letter “D” on the front panel or with the mouse click on “NEXT”.

◆ Displaying a menu screen



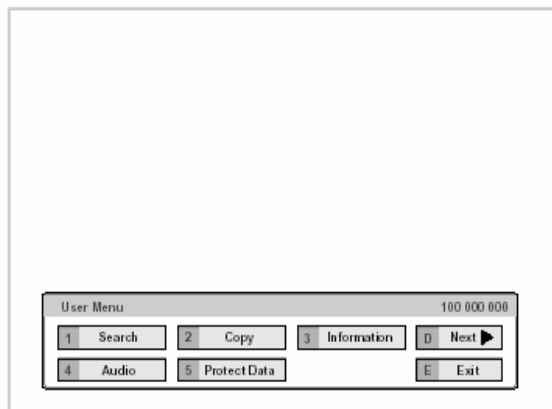
- step 1. Press the SET UP button or click the left button on the mouse to display a menu.
- The <User Menu> appears.
 - To open other menu, press the D button or left-click on “Next ▶.”



- When you use a mouse, click the following area to operate.



Click this area



This Guide will cover the most common used sections of each menu. For additional detailed information for these and any other areas, please refer to the DVRs Installers Manual which is included with the DVR.

Areas to be configured:

- | | | |
|---|--|--|
| <p>A. Systems Menu</p> <ol style="list-style-type: none"> 1. COM/LAN 2. PTZ Settings 3. Service Info. 4. Restore 5. Memory 6. Clear Data | <p>B. Setup Menu</p> <ol style="list-style-type: none"> 1. Recording 2. Timer 3. Motion Detection 4. System 5. Menu Data | <p>C. User Menu</p> <ol style="list-style-type: none"> 1. Search 2. Copy 3. Information 4. Audio 5. Protect Data 6. PTZ Control |
|---|--|--|

SYSTEMS MENU: We will start with the DVRs SYSTEMS menu. This menu is to configure areas that normally only need to be setup one time. From the User Menu screen (000 000 000), press the NEXT button twice to display the SYSTEMS MENU (200 000 000).



COM/LAN

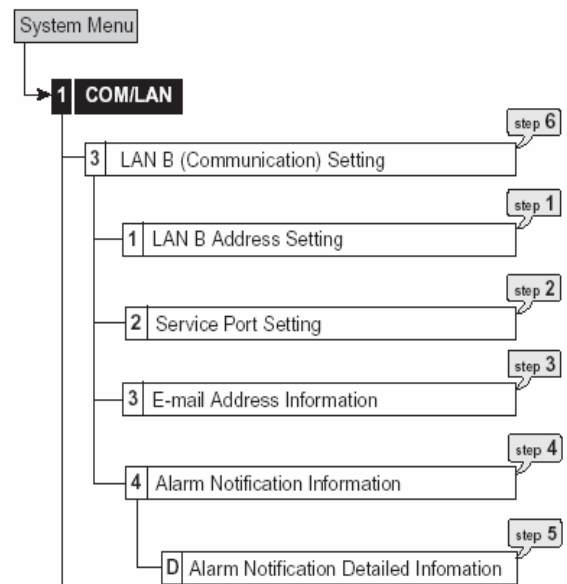
We are going to work with #2 CASCADE and #3 LAN Settings.

#2. CASCADE Settings – This feature is used to control more than one DVR from a Master DVR. Up to 16 DVRs can be cascaded together. From the master DVR you can view video and control any DVR down the chain.

- a. Select the CASCADE connection mode
- b. Select the DVR address, Master is set to #1 and Slaves are from #2 to 16.
- c. Test connection and control of the units in the system

#3. LAN B Settings – This is the setting used to setup the communication protocol between the DVR and your network.

- a. Enter the STATIC IP Address, SubNet Mask and Gateway of the DVR. Work with the IT person in charge of the network to get this information.
- b. Service Ports – Leave at factory settings unless IT person wants to make changes to default settings.
- c. E-Mail Address Information – Use DX-TC25U application software to make needed changes
- d. Alarm Notification Information – Same as above.



PTZ CAMERAS:

A variety of PTZ protocols are supported. Connect the camera's wires to the appropriate port on the back of the DVR. Match the camera protocol, baud rate and address settings with the DVR PTZ Configuration settings.

1. Camera Select – Choose camera number where the PTZ is connected
2. PTZ Camera Config. Device – Match protocol and baud rate of DVR and camera.
3. Camera ID – Select camera address
- 4 and 5 – Select Pan and Tilt Reverse if needed

Test (Front Panel Buttons) – Press the PTZ button and press pan and tilt buttons to move the camera. If the PTZ camera unit responds correctly, then you are done. If it does not go back and review settings of both DVR and camera.



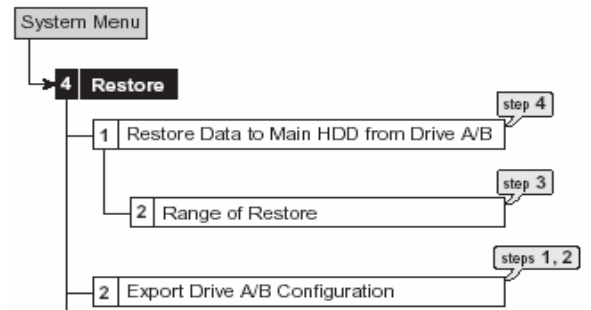
SERVICE INFO:

This sub menu is used to gain information about the DVR (System Log List, Elapsed Operating Time and Disk Information). See the Installers manual page 71 for detailed information in this area.

RESTORE:

This feature is used to copy from a copy device like a CD, DVD or HD back to the Main HDD.

1. Select Range of Restore “START/END or START” and click on SET to enter the time and date to be restored.
2. Review “Restore Data Information” “From” and “To”, “Camera” and “Range of Restore”. If information is not correct, click on “RETURN” and go to “Export Drive A/B Configuration” and select the “Copy Camera” and set the “Other Settings” “Device” and “Group Number” (CD/DVD=group 4). Once this information is correct, go back to the “Restore” screen and “EXECUTE”. This function will take some time. An On Screen Indicator will be displayed showing the restoring process.
3. To Playback the restored information, go to SEARCH and do a Time and Date Search (from MAIN HDD).



MEMORY:

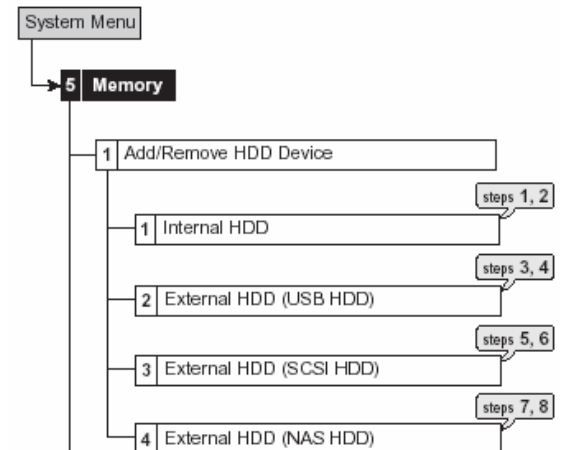
ADD/REMOVE HDD DEVICES:

This feature is used to check and set the device settings for the Main HDD and Copy Drives.

1. To check current HDD devices being used select ADD/REMOVE HDD DEVICES.
 - a. Select SETTINGS to view the DVR HDD internal configuration.

Note: The unit supports up to 4 internal drives (A – D), each drive can be setup to used for MAIN or Free (not used). MAIN is the normal settings and drives are used for Normal and Alarm REC.

- b. You can also check and change the EXTERNAL HDD settings. Any External drive connected to the USB port will be recognized by the DVR. You can also select how the drive is to be used (Free, Copy A or Copy B).
 1. Free – Not used
 2. Copy A – Used as COPY A device
 3. Copy B – Used as Copy B device
- c. Same process for SCSI and NAS drives. If connected you can view and change how the DVR is to use the storage.

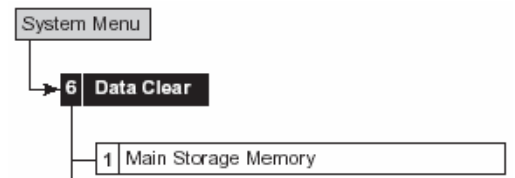


DATA CLEAR:

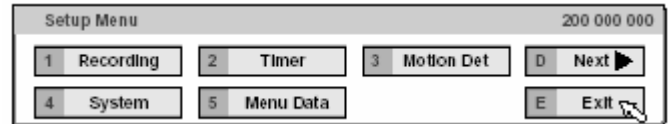
This feature is used to clear information recorded from the various devices in the DVR. The device must be connected before it could be accessed.

WARNING – clearing the MAIN STORAGE MEMORY will erase all recorded data.

1. Select storage device to be cleared and follow screens.



The SETUP: This menu is used to program the DVR functional parameters such as RECORD, SYSTEM, MOTION and others.



RECORDING:

This feature is the hart of the DVR and it's very flexible.

Record Pattern A to D

The DVR can be set to REC in one of two modes: Patter A – Normal or Regular REC. method. Once the various parameters have been set, pressing the RECORD button will place the DVR in REC. mode. Pattern B-D – These REC. patterns are used when the unit is programmed to REC. in TIMER (scheduled) mode only.

Set Record Pattern A

1. Select "Camera Check" to ensure connected cameras is seen by the DVR.
2. **Normal Recording Menu** – Has three selections
 - a. **Auto** – You provide the Recording cycle and Recording Time per day and the DVR will automatically calculate the number of Pictures Per Second and Grade needed to meet your requirements. Once the information is provided, use the "CALCULATE" function to view the DVR settings.
 - b. **Easy** – You provide the Frame / Field, Recording Rate Per Camera and Picture Grade and the DVR will automatically calculate the time for recording. Once the information is provided, use the "CALCULATE" function to view the DVR settings.
 - c. **Manual** – This setting allows you to specify by camera the various recording options.
 1. Camera Number – Selects camera you are working with
 2. Field / Frame – Selects the recording resolution
 3. Recording Rate – Pictures Per Second to be recorded by the camera
 4. Picture Grade – Selects the picture grade quality to be used when recording (from Super to Long).
 5. View – After making the various settings, VIEW the complete settings to ensure they are correct.

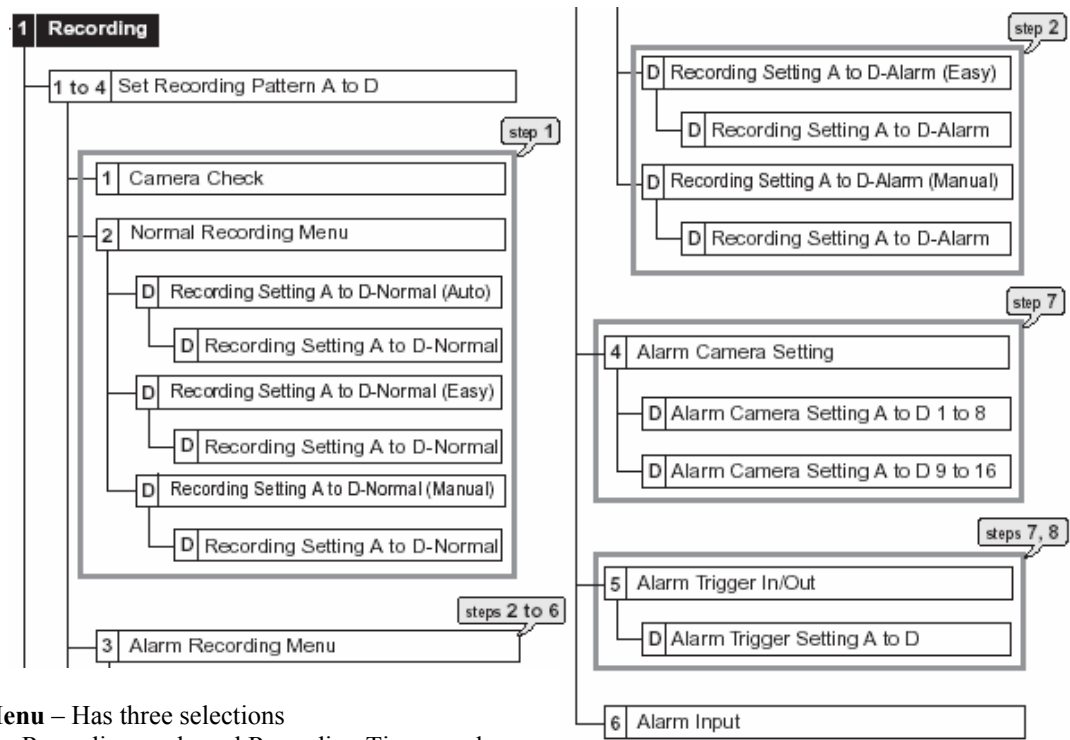
Alarm Recording Menu:

This section is to set the various Recording parameters when recording in Alarm mode. Tow modes are available.

1. From the Record Settings A, go to "SETTINGS" of Alarm Record Settings.
2. Record Setting A-Alarm has 5 fields to choose
 - a. **Alarm Recording**
 1. **Easy** – Select "SET" and input the Frame / Field to be used when recording an Alarm, also input the number of PPS to be recorded and last enter the Picture Grade. After this select "EXECUTE" for the DVR to calculate and use your settings and to give you a preview of the parameters that will be used.
 2. **Manual** – Similar to Manual REC. settings. Select "SET" to go into the per camera screen and enter the Camera Number you are programming, select Field / Frame, select Maximum Recording Rate, Select Picture Grade and after all the camera settings have been programmed, VIEW all the settings. Go back and make changes as needed.

Alarm Camera Settings:

This section is used to identify and view the sensor number (Motion or Alarm input) that will be associated with a specific camera to record. Example Sensor 3 will record from video of camera 1.



Alarm Camera Setting:

1. **Sensor Select** – Select SENSOR number (1 to 16) if motion is being used to record, camera 1 is sensor 1.
2. **Sensor Settings** – Select “SENSOR SETTINGS” field and all 16 cameras that can be used to record will be displayed. Select ALL ON and then select (turns RED) the cameras that you want to record when the specific sensor is activated. More than one camera can be used.

Alarm Trigger IN/OUT – From the Recording Setting A menu select Alarm Trigger In/Out “SETTINGS”

1. **Select the Sensor Number** (1-16) you need to set.
2. **Select Trigger** mode to be used
 - a. **EXTERNAL** – Used to set an Alarm via the ALARM IN terminals of the DVR
 - b. **MD-A** – Motion Detection (MD) A – To use motion detection to activate an Alarm (from REC. A)
 - c. **MD-B** – Motion Detect (MD) B – To use motion detection to activate an Alarm (from REC. B).
 - d. **External / MD-A** - Starts recording an Alarm activated via External Sensor or MD of A settings.
 - e. **External /MD-B** – Records an Alarm activated via External Sensor or MD of B settings.
 - f. **External & MD-A** – Records an Alarm activated via External sensor and MD-A settings.
 - g. **External & MD-B** – Records an Alarm activated via External sensor and MD-B settings.

Alarm Input – Select On to use with MD and External or Off to disable the inputs.

RECORDING PATTERN B TO D ARE USED FOR TIMER RECORDING ONLY. SETING OF PATTERN B TO D IS DONE THE SAME AS ABOVE (RECORD PATTERN A).

AUDIO RECORDING:

This unit supports up to 4 channels of audio recording. Audio can be recorded as an ALARM only or in regular recording mode.

Channel 1 to 4 are set as default audio and are normally off. The default channels can be changed to other channels.

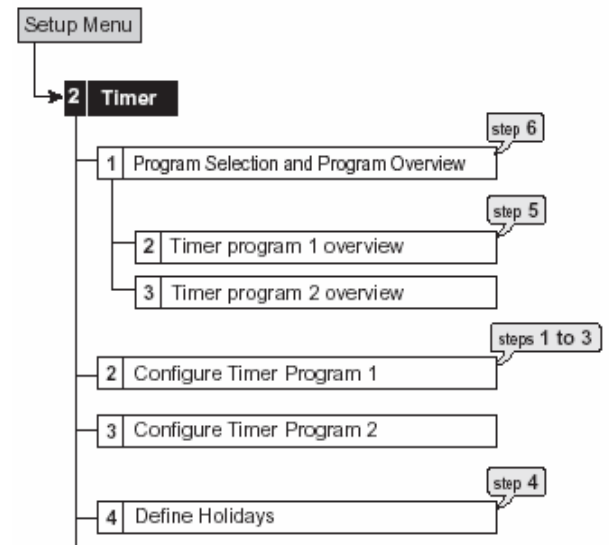
- a. To record audio in the default channels, each channel must be set to REC. mode and have audio connected in the rear panel.
- b. Go to Audio Recording Settings and turn each channel ON.



TIMER RECORDING:

Allow you to setup a recording schedule of regular recording, night recording and weekend and Holiday recording. Once programmed and the DVR put in Timer mode, the DVR will automatically go from REC. to STANDBY Mode and to other modes like Weekend or even motion recording at night.

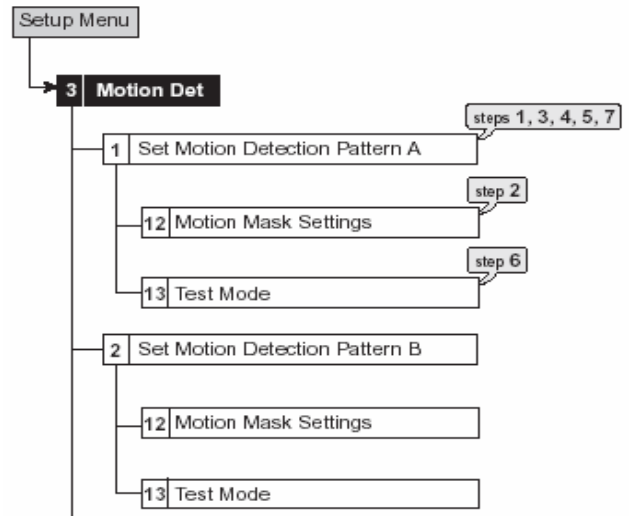
- a. Select Configure Timer Program 1 or 2. Each program is independent from each other.
- b. For Program Line 1 enter recording parameters:
 1. Day of Week
 2. Time to Start Recording
 3. Program mode to use to REC (A to D). Use Record Pattern A on page 5 as the example to follow.
 4. Motion Detection (Active or not)
 5. Enter Special Day information
- c. Go back to Timer Menu and select Define Holidays and input Day and Month for all Holidays to be used.
- d. Go back to Timer Menu and select Program Selection and Program Overview.
 1. Select Program Number to be used (select program number configured above)
 2. Go to Timer Program Overview used and view current settings to ensure they are correct.



MOTION DETECTION:

Two patterns independent from each other are available. Red area is active and Blue area is not active. Right click on the mouse to select the square to Right click on the mouse in another square and a window will open covering the area for those two squares chosen. Left click in the square and Left click outside the needed area will activate (area will turn RED) that area for motion. Multiple areas can be setup in a single screen.

- a. Camera Select – Selects camera to be configured for motion.
- b. Motion Mask Settings – Select and SET settings:
 1. Set to Default –
 2. Enable All –
 3. Disable All -
 4. Manual –
- c. Sensitivity – Select Sensitivity to change in light.
- d. Motion Threshold – Select number of squares which is needed to activate motion (for any of the set areas if multiple areas have been activated).
- e. Reference Interval Time – Select time of how often the area set to motion will be sampled
- f. Test Mode – Select Test Mode to test the set area. Make changes as needed to mask and related areas.
- g. Same as Settings - ???

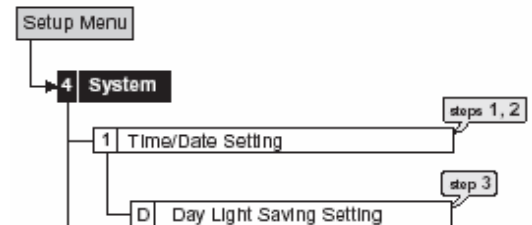


SYSTEM:

The Systems menu is where you program a variety of DVR essential settings such as Time and Date, Menu Language and Password. Also warnings via the MODE and CALL out Terminals informing of HDD remaining before overwriting and others.

TIME/DATE SETTING:

- a. Input Time and Date information
- b. Select Rear Terminal Settings
 1. Mode Settings – Set MODES 1 to 4 to needed trigger (REC. POWER...), and it's activating polarity.
 2. Set Low Memory Alarm Settings – Select Device (normally Main-Normal HDD) and Low Memory % to activate the Alarm.
 3. Go back to Systems Menu and set Call Out Settings which monitor Recording Medium like Normal Recording, Alarm Recording, LPA Recording Area and Copy B medium.
 4. Key Sound – Turns ON/OFF Buzzer when key is pressed



PASSWORD SETTINGS:

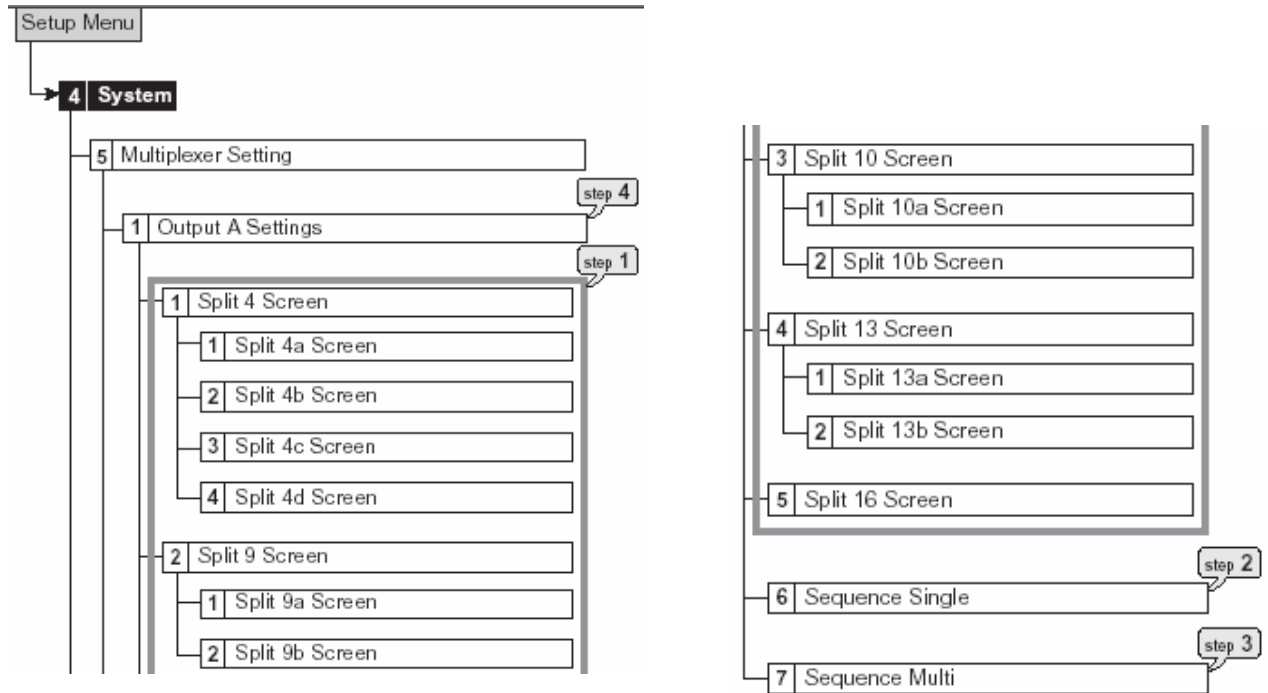
- a. Operational Control Password – Set Password Level 1 to 3 (ensure you write it down someplace secure).
 - * Simple LOCK – This function locks all front control panel buttons out. Press the LOCK button and keep it pressed and then press the Main Power button and release the Power button first. The LOCK indicator will turn ON and place the unit in LOCK mode. To turn off Simple LOCK simply press the LOCK button for 2 seconds (the indicator will turn OFF).
 1. Level 1 = All Operations except Password Lock Release and Help are locked out.
 2. Level 2 = Camera, MPX, PTZ, Jog/Shuttle, Playback type, Mouse are all operational.
 3. Level 3 = Menu's locked out are Setup and Systems, front panel buttons like Power, REC. STOP and TIMER, wired Remote Controller buttons locked are REC/STOP and TIMER ON/OFF.
 - 4. Disk Level Management = Provides a lock function for disk Data Clear function. All data on Main and Alarm found on the HDD will be erased.

MULTIPLEXER SETTINGS:

The DVR supports two monitor outputs A (main) and B (spot). Each of these outputs supports multiple displays in Live or Playback. The only difference between the two is displaying the SETUP Menu screens are only available to output A.

MONITOR A SETTINGS:

a. Select Settings and set the cameras to be displayed when SPLIT 4, SPLIT 9, SPLIT 13 and SPLIT 16 screen. Also set the SEQUENCE of Single and Split displays. Last set the Sequence Time for switching displays.



MONITOR B SETTINGS:

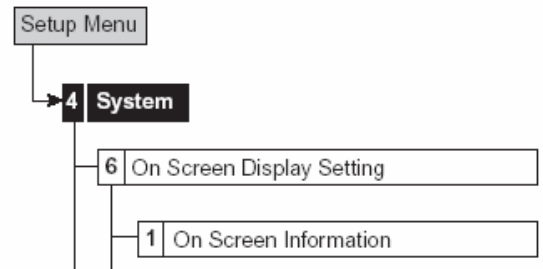
Follow the same procedures as settings for MONITOR A.

ON SCREEN DISPLAY SETTINGS:

This section is to set how the ON SCREEN DISPLAY information such time and date and location, camera number or name and other information will be displayed on the Main monitor.

Go to On Screen Display Information. Choose the area you want to change.

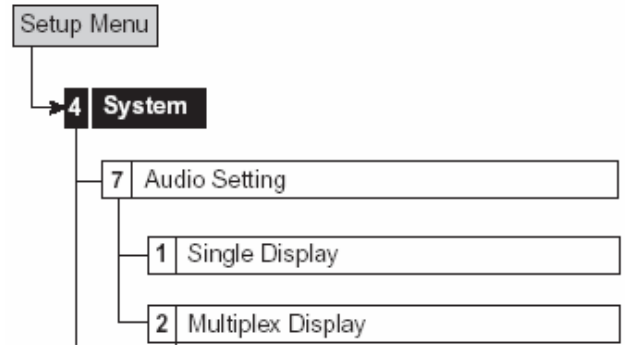
1. On Screen Information – Is to Set the Display Mode and Location of Time/Date, the Triplex Display Mode (1-5) and its location (top or bottom) and Camera display mode (number, title or none) and its location.
2. Camera – Is to input the Camera Title. In Camera Title settings select the camera number you will be labeling and enter the name in the Title Editing box using the numbers associated for each letter needed. Lower and upper case letters are available along with numbers and special character as needed.
3. Recorder Title – Enter a name for the DVR (city, location, store name ...), enter and use the characters the same as on step 2 above.
4. Monitor Output Adjust – To adjust the Scan Mode, character and background mode of menu screen display. Select to use OVER or UNDERSCAN mode. ALPHA BLEND LEVEL affects the background color and character for menu select from 1 to 3 (1 being light in color and 3 being heavier in color). Same for On Screen Information which affects the characters used to display Time/Date and other related information.



AUDIO OUTPUT SETTINGS:

This section is used to select what cameras will output audio when recorded for single camera or when a multiplexed camera display is active.

1. Single Display is to select what camera will output audio from audio channel 1 to 4. For example Camera 5 can output audio channel 3.
2. Multiplex Display is to select a display pattern and what camera in that pattern will output audio. In multiplex mode, only one camera can be selected to output audio.



RESET TO FACTORY SETTINGS:

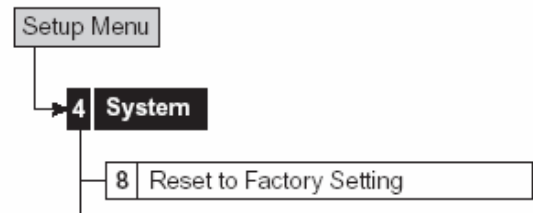
If needed, the DVR can be reset to factory menu settings. Simply select the Mode and EXECUTE. Most menu settings will be reset to factory settings except for Time and Date, Password and LAN settings and email settings will not be changed.



MENU DATA:

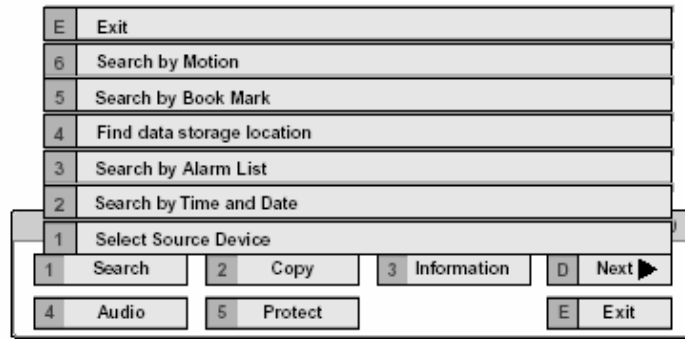
This section is used to LOAD (copy) or save the DVR menu settings.

1. LOAD is used to bring in new menu settings to the DVR. You can use a USB drive CD/DVD to upload the new settings. Make sure you select the correct device that has the new menu. Also, for this function to work, the following HDD settings of both DVR must be set the same.
 - a. Alarm Area
 - b. Alarm Area Capacity
 - c. LPA Area
 - d. LPA Area Capacity
2. SAVE MENU DATA saves the DVR current menu settings for a specified device. Ensure that the proper device is selected and execute. Note: When reloading the menu setting, the HDD ALARM & LPA areas and capacity must match the which is being updated.



USER MENU

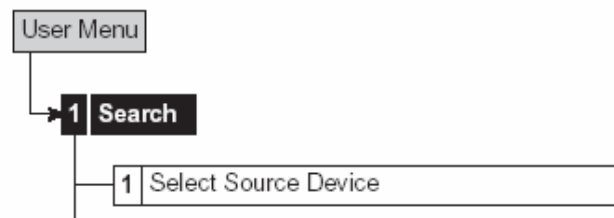
The User Menu is designed to support commonly used User functions such as Search, Copy, finding information about the DVR, selecting the channel to playback audio and protecting needed video.



SEARCH:

A variety of search functions are supported, the first thing that has to be done is to select the device that has the needed video information. For example if you are looking for an Alarm and the HDD is set to 100% normal then you must select those settings. If you perform a search function and do not specify the correct area or device the DVR will use the default device and area which are incorrect and inform you of information not found.

1. Select Source Device – You must first select the source device that has the video needed. Depending on how the DVR is set to record depends what device is selected. Following is an example of how to know what device to select as the source of the video.



Example 1– Search for regular recording and Main HDD is set to Normal 100%. (Select Source Device/Playback Device = Main and Playback Area = Normal).

Example 2 – Search for Alarm but Main HDD is divided where Normal Recording Area is set to 80% and Alarm Recording Area is set to 20% (Select Source Device/Playback Device = Main and Playback Area = Alarm).

Example 3 – If you playback video from a CD/DVD then the CD/DVD needs to be selected as the source (Select Source Device/Playback Device = COPY A and Playback Area is CD/DVD). Other features such as camera filters could affect the Search function. For more information in this area please refer to the Users Manual.

SEARCH BY TIME AND DATE:

Remember that the correct device has to be first selected before the search functions is initiated. Time and Date Search requires that you either select one of the following criteria's.

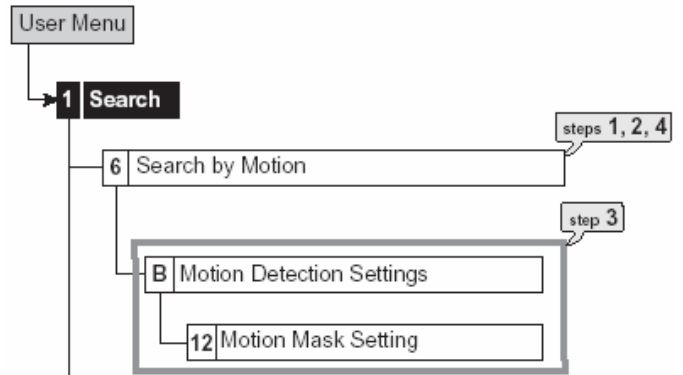
1. START – When you select START the oldest video information found on the selected device and area will be retrieved and displayed back in Pause mode. To play back the video simply press the PLAY button of the DVR. Notice that the display screen is divided into 16 screens (if set to default), to playback in single screen mode simply press the camera you want to vide (example to view camera #1, press #1 on the DVR front panel).
2. END – Similar to above, when END is selected (remember to select the correct source device), the latest (most resent) video is retrieved and displayed in Pause mode. Same as above to select the camera to be viewed and to playback the video.
3. MANUAL – Using the mouse or front panel buttons you can enter the needed time and date to search (remember to have the correct device selected as the source). Press SEARCH button to execute.



SEARCH BY MOTION:

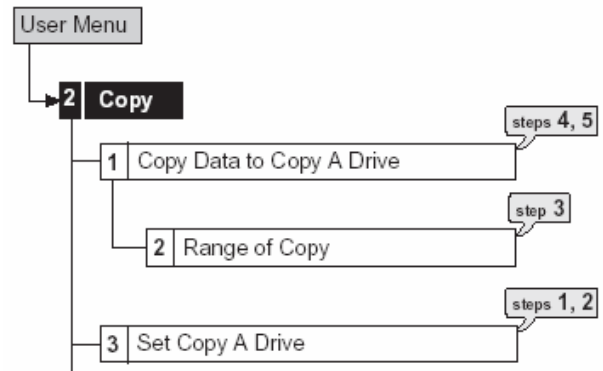
This function allows you to Search in a specific area of a recorded image via Time/Date.

1. ??????????????????????
2. ??????????????????????
3. ??????????????????????
4. ??????????????????????



COPY:

A variety of copy functions are supported. You can copy from your Main HDD Normal or Alarm to any other device connected to the DVR, for example the CD/DVD. The copy functions works by selecting a number of User parameters like Time/Date and Bookmarks if available. Before you start coping ensure that the correct source and destination devices are selected. For example from = Main/Normal and to = CD/DVD. If the source and destination are not set as needed go to SET COPY A DRIVE first, then go back to the copy process.



COPY A and B Devices

GROUP A	GROUP B
HDD (internal)	HDD (internal)
HDD USB	HDD USB
HDD SCSI	HDD SCSI
CD/DVD	CD/DVD
USB/Jump Drive	None

COPY DATA TO COPY A DRIVE (Same process for COPY B Function):

1. Ensure Copy Source (from) and Destination (to) is set correctly.
2. Select Copy Data to Copy A Drive
 - a. Select the Copy Range to be used
 1. Start/End – To enter the Start and End time to be used for the copy function or the Bookmark that represents the Start and End Point.
 2. Start – Enter the Start time to be used or if available, enter the Bookmark of the start point. When this function is selected the DVR uses the start time and copies all available information filling out the destination. If it's a CD then about 700MB will be copied. If it's a DVD then about 4.7GB of information will be copied from the given start time.
 3. End – Enters the End time to start coping or select the Bookmark that represents the end time. This function works very similar to the Start time accept that it copies from the end time specified back filling as much data that can be copied on to the destination device.
 - b. SET – Once the Range of Copy is selected, SET is used to actually get into the sub menu of the selected Range and to enter the needed Time/Date information or Bookmark that represents the needed Time/Date.
 - c. Copy Data Information – Provides a review screen detailing the Source Time and Date and the Destination Time/Date along with which cameras video for the time range will be copied.
 - d. If the Copy Data Information is correct select CALCULATE for the DVR to see how much disk storage will be used and last select EXECUTE to start the copy process.

SET COPY A/ B DRIVE:

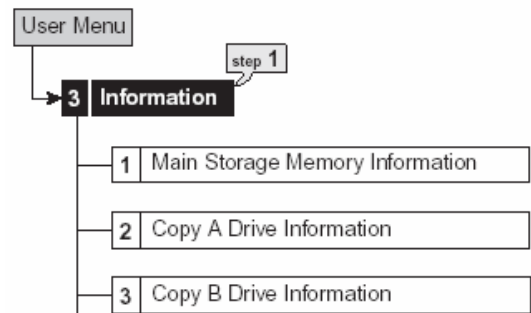
This area should be first reviewed/configured before the copy process is started. This function allows you to set the criteria such as cameras whose video is to be copied, to select the source device, the target device, the type of data to be copied and if you want to overwrite or eject the media (if applicable).

1. COPY CAMERA – Is to select the cameras whose video you want to copy. Select the COPY CAMERA field and select the needed cameras (active cameras are highlighted in RED).
2. OTHER SETTINGS
 - a. From Main – Is to choose the area of the Main HDD to be used as the source of the needed video (Normal, Alarm or LPA)
 - b. To COPY A – Is to select the destination device to copy the needed data (HDD, CD/DVD, USB DRIVE)
 - c. COPY DATA – Is to select what type of data is to be copied (ALL data or just ALARMS)>
 - d. OVERWRITE – Is to select to overwrite over existing data or (OFF) not to overwrite and start e writing from where last data left off.
 - e. AUTO EJECT – Is to eject a CD/DVD if being used.

MAIN STORAGE MEMORY INFORMATION:

This section provides disk recording information (oldest and latest) of the selected device along with partitioning % information for the Main HDD if applicable.

1. To view the recording information of the Main HDD simply select INFORMATION and then select Main Storage Memory Information. The Main HDD Information screen will appear providing detail recording and if applicable partitioning information about the Main HDD.



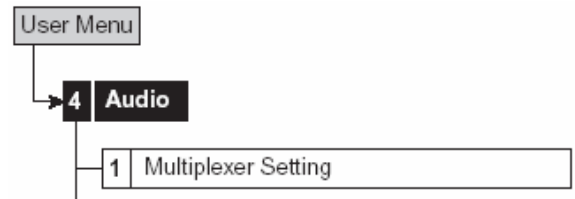
Follow the same procedures to display the recording information of other recording devices (CD/DVD ...).

AUDIO:

The DVR supports multiple (4 channel) audio recording. When in live or playback, only one audio can be selected. To select the active audio channel for live or playback and for single or multi screen mode proceed as follows:

1. Select AUDIO and MULTIPLEXER settings and select the audio (CH1 to CH4) channel you want to hear.

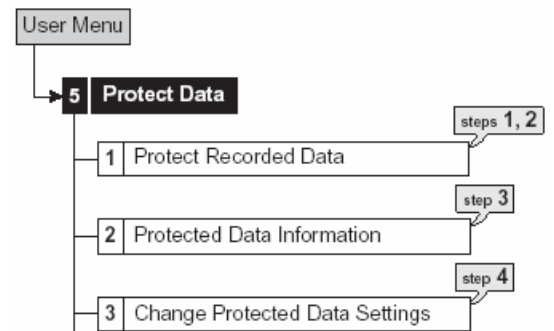
Note: Audio channel settings are configured (camera to channel) in the Audio Output Settings in the Setup/System/Audio Settings menu.



PROTECT DATA:

This feature protects important recorded data from accidentally being erased or overwritten. You can Protect, View or Change the current settings.

1. Protect Recorded Data – The data must first be Bookmarked (Time/Date) before it can be selected to protect. When in the Protect Recorded Data screen simply select the FROM Bookmark number that represents the start time to protect and then go select TO and its Bookmark to input the end time to protect. Select PROTECT to perform the task.
2. Protect Data Information – This screen will provide you information such as time/date and device of currently protected areas.
 - a. Search – Used to review the protected video.
 - b. Check – Checks the device with protected data.
3. Change Protected Data Settings – To unprotect any area currently protected. Use the Search function to review the protected data before you unprotect it. Disable will unprotect the current protected area.



Ignore this at this time

Topic	Page
DVRs Menu Treef	31-36
Multiplexer Display Settings (Monitor A and B)	40-44
Information Services (HDD and Peripheral Info & clearing data, factory settings).	61-63
Audio Recording	56
Password Lock	63-65
Search Selection	75-79
Making a Copy or Restoring	80-81
Covert Camera	85
Communication via Web Browser	86-91
Recording Time Tables	92-93
Troubleshooting	94-97